

# Ball Valve SBV210 Series

## 210 Series Two Piece Type

### Features

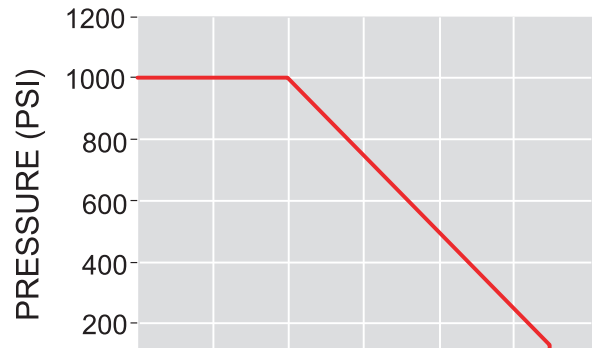
- Compact design
- Tight and smooth, low torque and easy operation
- Butterfly and lever handle available
- Variety of End Connections
- Each and every valve is tested at the factory



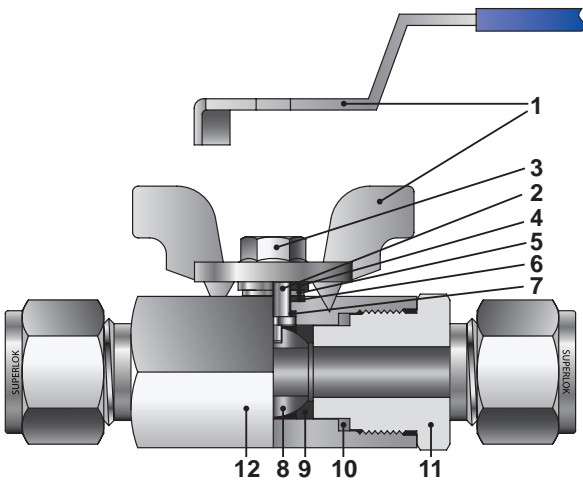
### Specifications

Pressure rating	1000psig (69bar)@70°F (21°C)
Body material	316 stainless steel and Brass
Port Connections	1/4" to 1" and 6mm to 16mm
Orifice	5.0mm to 16.0mm

### Pressure-Temperature Ratings



### Materials of Construction



No.	Component	Material Grade / ASTM Specification	
		Stainless Steel	Brass
1	Handle	SS304 Lever handle with PVC color coated	
		Zinc butterfly handle with nickel plated	
2	Stem	SS316 / A276	
3	Lock Nut	Stainless Steel	
4	Upper Stem Washer	SS304 / A276	
5	Lower Stem Washer		
6	Upper Stem Seal	PTFE	
7	Lower Stem Seal		
8	Ball	SS316 / A276	
9	Seat	PTFE	
10	Connector Seal		
11	End Connector	SS316 / A276	Brass / B16
	Insert (for Female Thread)	SS316 / A276	
12	Body	SS316 / A276	Brass / B16

SBV210 Series

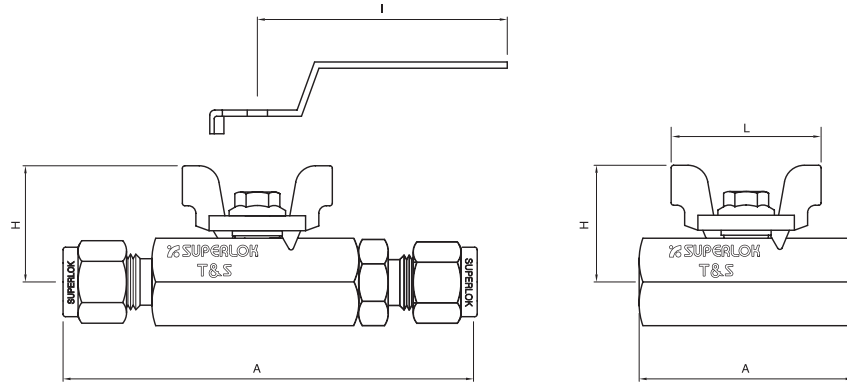


Table of dimensions

Part Number	Orifice	Cv	End Connections	Dimensions				
				A	H	I	L	
SBV210	S6M	5.0	1.25	6mm SUPERLOK	79.8	23.0	60.0	30.0
	S4		1.25	1/4" SUPERLOK	79.8			
	F4N		1.4	1/4" FEMALE NPT	42.8			
	S10M	7.5	2.6	10mm SUPERLOK	91.5	31.0	90.0	48.0
	S6		2.5	3/8" SUPERLOK	91.5			
	F6N		2.6	3/8" FEMALE NPT	46.6			
	S12M	9.0	9.5	12mm SUPERLOK	101.4	34.0	90.0	50.0
	S8		9.5	1/2" SUPERLOK	101.4			
	F8N		9.5	1/2" FEMALE NPT	55.0			
	S16M	12.5	10.6	16mm SUPERLOK	107.6	39.0	100.0	55.0
	S10		10.6	5/8" SUPERLOK	107.0			
	S12		12.7	3/4" SUPERLOK	107.0			
	F12N		12.7	3/4" FEMALE NPT	61.3			
	S16	16.0	17.5	1" SUPERLOK	131.0	45.0	100.0	68.0
F16N	17.5		1" FEMALE NPT	76.0				

SBVA210 Series

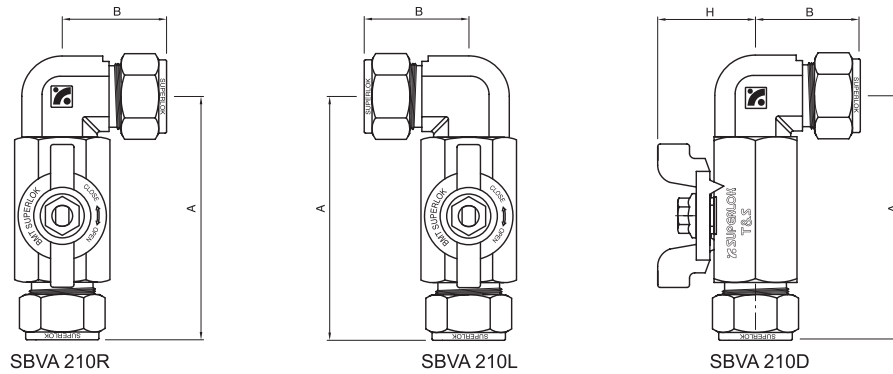
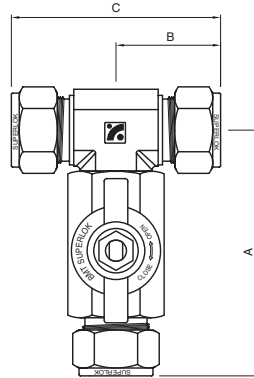


Table of dimensions

Part Number	Orifice	End Connections	Dimensions			
			A	B	H	
SBVA210	S4	5.0	1/4" SUPERLOK	65.3	30.5	23.0
	S6	7.5	3/8" SUPERLOK	77.5	36.1	31.0
	S8	9.0	1/2" SUPERLOK	87.9	38.1	34.0
	S12	12.5	3/4" SUPERLOK	93.8	39.9	39.0
	S16	16.0	1" SUPERLOK	115.3	49.0	45.0

• All dimensions in millimeters unless specified as "inch". Dimension are for reference only, subject to change.

## SBVT210 Series



### Table of dimensions

Part Number	Orifice	End Connections	Dimensions			
			A	B	C	
SBVT210	S4	5.0	1/4" SUPERLOK	65.3	30.5	61.0
	S6	7.5	3/8" SUPERLOK	77.5	36.1	72.2
	S8	9.0	1/2" SUPERLOK	87.9	38.1	76.2
	S12	12.5	3/4" SUPERLOK	93.8	39.9	79.8
	S16	16.0	1" SUPERLOK	115.3	49.0	98.0

• All dimensions in millimeters unless specified as "inch". Dimension are for reference only, subject to change.

### Ordering Information

Example :

**SBV210 - S 8 - BH - SS**

1
2
3
4
5

#### 1. Valve Series

SBV210  
SBVA210  
SBVT210

#### 2. End Connection

S : SUPERLOK Tube Fitting  
F : Female Thread

#### 3. End Connection Size

##### Tube O.D Designation

Tube O.D (inch)	1/4	3/8	1/2	3/4	1
Designation	4	6	8	12	16
Tube O.D (mm)	6	10	12	16	
Designation	6M	10M	12M	16M	

##### Pipe Thread Designation

Size(inch)	1/4	3/8	1/2	3/4	1
Screwed NPT	4N	6N	8N	12N	16N
Screwed BSPT	4R	6R	8R	12R	12R

#### 4. Handle Designator

BLANK : Butterfly Handle (Standard)  
BH : Bar Handle

#### 5. Material Designator

SS(BLANK) : 316 Stainless Steel  
B : BRASS