

Ball Valve SBVH360 Series

360 Series Three Piece High-Pressure Type

Features

- Compact design
- High flow rate with maximum orifice
- Variety of End Connections
- Anti blow-out stem design
- Each and every valve is tested at the factory
- Fire safety design available



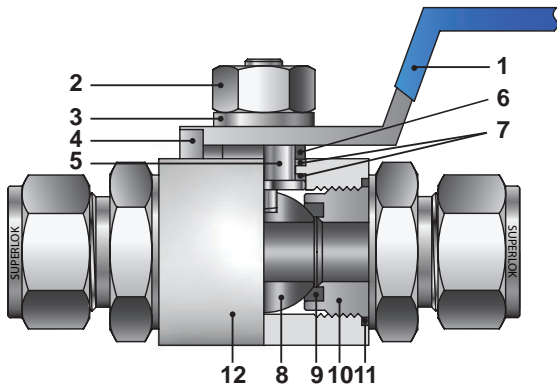
Specifications

Pressure rating	6000psig (414bar)@70°F (21°C)
Temperature rating	-22 to 355°F (-30 to 150°C) with PCTFE seat -65 to 500°F (-54 to 260°C) with PEEK seat
Body material	316 stainless steel and Brass
Port Connections	1/4" to 1" and 6mm to 25mm
Orifice	10.0mm to 19.0mm

Testing

- Each Valve is tested with nitrogen at 1000psig(69bar) to maximum allowable leak rate of 0.1 SCCM.
- Hydrostatic shell test is performed at 1.5 times of the working pressure. (OPTION)

Materials of Construction



No.	Component	Material Grade / ASTM Specification
		Stainless Steel
1	Handle	SS304 Lever handle with PVC color coated
2	Lock Nut	Stainless Steel
3	Spring Washer	
4	Pin	
*5	Stem	SS316 / A276
6	Stem Washer	SS304 / A276
*7	Stem Packing	PTFE
*8	Ball	SS316 / A276
*9	Seat	PCTFE (Standard)
*10	End Connector	SS316 / A276
*11	Connector Seal	PTFE
*12	Body	SS316 / A276

※Wetted components are marked "*"

SBVH360 Series(2-Way)

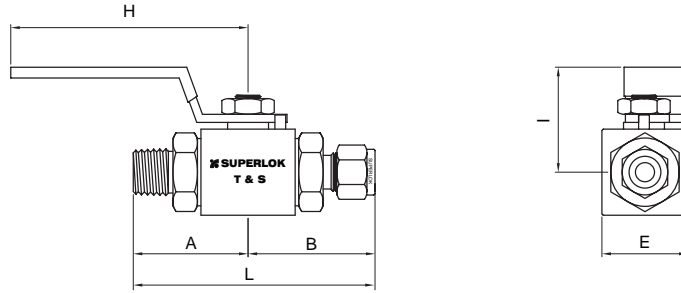
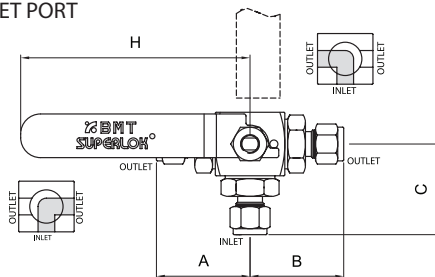


Table of dimensions

Part Number	Orifice	Cv	End Connections	Dimensions						
				A	B	L	H	I	E	
SBVH3601	S4	10.0	1.2	1/4" SUPERLOK	45.7	45.7	91.4	115	38.5	32.0
	S6		3.7	3/8" SUPERLOK	47.5	47.5	94.4			
	S8	7.5	49.8	1/2" SUPERLOK	49.8	49.8	99.6			
	F4N		37.0	1/4" FEMALE NPT	37.0	37.0	74.0			
	F6N		38.0	3/8" FEMALE NPT	38.0	38.0	76.0			
	F8N		41.5	1/2" FEMALE NPT	41.5	41.5	83.0			
	M4N	3.7	1/4" MALE NPT	42.1	42.1	84.2				
	M6N	7.2	3/8" MALE NPT	42.1	42.1	84.2				
M8N	7.5	1/2" MALE NPT	47.0	47.0	94.0					
SBVH3602	F8N	12.7	10.0	1/2" FEMALE NPT	45.5	45.5	91.0	165	51.9	40.0
	F12N			3/4" FEMALE NPT	51.0	51.0	102.0			
	M12N			3/4" MALE NPT	52.5	52.5	105.0			
	S10			5/8" SUPERLOK	54.0	54.0	108.0			
	S12			3/4" SUPERLOK	54.0	54.0	108.0			
SBVH3603	F12N	19.0	30.0	3/4" FEMALE NPT	54.0	54.0	108.0	165	57.0	50.0
	F16N			1" FEMALE NPT	62.5	62.5	125.0			
	S12			3/4" SUPERLOK	61.9	61.9	123.8			
	S16			1" SUPERLOK	66.4	66.4	132.8			
	M12N			3/4" MALE NPT	59.0	59.0	118.0			
	M16N			1" MALE NPT	63.8	63.8	127.6			

SBVH360-3S Series (3-Way)

SIDE INLET PORT



SBVH360-3 Series (3-Way)

BOTTOM INLET PORT

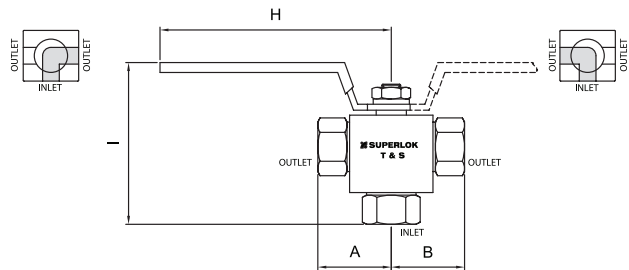


Table of dimensions

Part Number	Orifice	End Connections	Dimensions					
			A	B	I	H	C	
SBVH36013 & SBVH36013S	S4	10.0	1/4" SUPERLOK	45.7	45.7	91.4	115	53.3
	S6		3/8" SUPERLOK	47.2	47.2	94.4		54.8
	S8		1/2" SUPERLOK	49.8	49.8	99.6		54.0
	F4N		1/4" FEMALE NPT	37.0	37.0	74.0		36.5
	F6N		3/8" FEMALE NPT	38.0	38.0	76.0		40.0
	F8N		1/2" FEMALE NPT	41.5	41.5	83.0		44.0
SBVH36023 & SBVH36023S	S10	12.7	5/8" SUPERLOK	54.0	54.0	108.0	165	65.3
	S12		3/4" SUPERLOK	54.0	54.0	108.0		65.3
	F8N		1/2" FEMALE NPT	45.5	45.5	91.0		49.5
	F12N		3/4" FEMALE NPT	51.0	51.0	102.0		55.0
SBVH36033 & SBVH36033S	S12	19.0	3/4" SUPERLOK	61.9	61.9	123.8	165	69.8
	S16		1" SUPERLOK	66.4	66.4	132.8		69.8
	F12N		3/4" FEMALE NPT	59.0	59.0	118.0		56.5
	F16N		1" FEMALE NPT	63.8	63.8	127.6		60.6

* All dimensions in millimeters unless specified as "inch". Dimension are for reference only, subject to change.

Pressure & Temperature Rating

2-Way Straight

Valve Series	Materials			Pressure Rating @-54°C to 21°C (-65°F to 70°F)	Temperature Rating
	Seat	Stem Packing	End Connector Seal		
3601	PVDF	PTFE		6000psig (413bar)	-30°C to 130°C(-22°F to 265°F)
	PCTFE				-30°C to 150°C(-22°F to 355°F)
	PEEK				10000psig (689bar)
3602 & 3603	PVDF			5000psig (344bar)	-23°C to 191°C(-10°F to 375°F)
	PCTFE				
	PEEK			6000psig (413bar)	

2-Way Angle & 3-Way

Valve Series	Materials			Pressure Rating @-54°C to 21°C (-65°F to 70°F)	Temperature Rating
	Seat	Stem Packing	End Connector Seal		
3601	PVDF	PTFE	VITON	4000psig(275bar)	-30°C to 130°C(-22°F to 265°F)
	PCTFE				-30°C to 150°C(-22°F to 355°F)
	PEEK				6000psig(413bar)
3602 & 3603	PVDF			3000psig(206bar)	-23°C to 191°C(-10°F to 375°F)
	PCTFE				
	PEEK			4000psig(275bar)	

Ordering Information

Example : **SBVH3602 - S 12 - PE - SS**

1
2
3
4
5

1. Valve Series

2-Way straight

SBVH3601
SBVH3602
SBVH3603

2-Way Angle

SBVH3601A
SBVH3602A
SBVH3603A

3-Way : Bottom Inlet Port

SBVH36013
SBVH36023
SBVH36033

3-Way : Side Inlet Port

SBVH36013S
SBVH36023S
SBVH36033S

2. End Connection

S : SUPERLOK Tube Fitting
F : Female Thread
M : Male Thread

3. Connection Size

Tube O.D Designation

Tube O.D (inch)	1/4	3/8	1/2	5/8	3/4	1
Designation	4	6	8	10	12	16

Pipe Thread Designation

Size(inch)	1/4	3/8	1/2	3/4	1
Screwed NPT	4N	6N	8N	12N	16N
Screwed BSPT	4R	6R	8R	12R	12R

4. Seat Material Designator

BLANK : PCTFE(Standard)
PV : PVDF
PE: PEEK

5. Material Designator

SS(BLANK) : 316 Stainless Steel
M : ALLOY (Monel)