

# Ball Valve Manifolds

## ***BVM2R Series***

*2 ball valve manifold, remote mount style rated up to 6,000 psi*

## ***BVM2D Series***

*2 ball valve manifold direct instrument mount style rated up to 6,000 psi*

## ***BVM3R Series***

*3 ball valve manifold, remote style rated up to 6,000 psi*

## ***BVM3D Series***

*3 ball valve manifold direct instrument mount style rated up to 6,000 psi*

## ***BVMDBB Series***

*Double block and bleed valve manifold rated up to 6,000 psi*

## ***BVM4R Series***

*4 ball valve manifold, remote style rated up to 6,000 psi*

## ***BVM5R Series***

*5 ball valve manifold, remote style rated up to 6,000 psi*

## ***BVM5D Series***

*5 ball valve manifold direct instrument mount style rated up to 6,000 psi*

## ***ADM-PRO™ Ball Valve Type***

*Air distribution manifolds rated up to 6,000 psi*

## ***How to order the above***

*An explanation of the part numbering system*

# BVM2R Series

## General Information

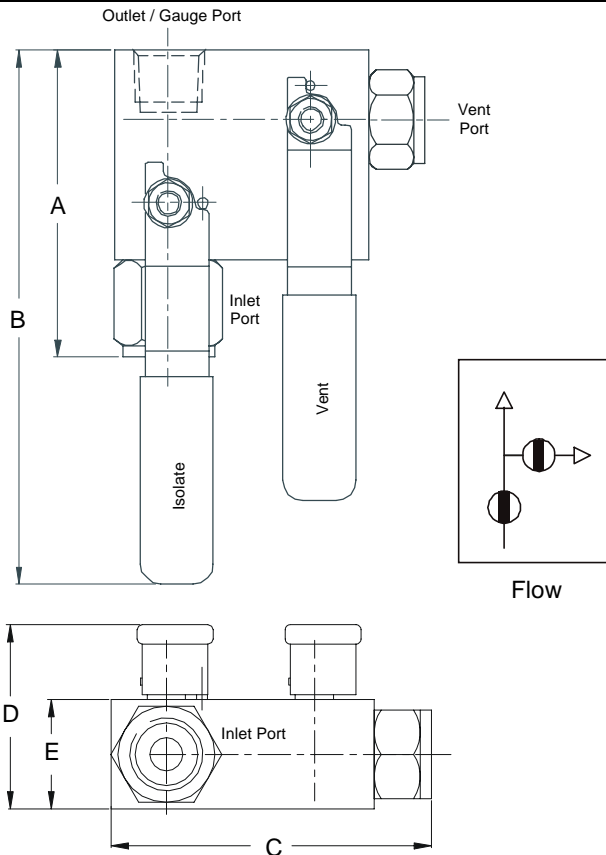
### 2 ball valve manifold, remote mount style. Rated up to 6,000 psi

The BVM2R series block and bleed 2 ball valve configuration manifold is especially suited for applications where vicious process mediums are used. The manifold has a clear 10mm bore suitable for rodding. The BVM2R also has soft replaceable seats for easy "on site" maintenance and to extend service life. Being soft seated means the BVM2R offers bubble tight shut off with liquid and gas mixtures. Vent port is supplied 1/4" female fitted with a safety-blanking plug as standard.



Note: Can be supplied with mounting holes

## Design Features



- Isolate and vent / block and bleed 2 valve manifold, floating balls, soft seated.
- Roddable 10mm clear bore.
- Anti blow-out internally loaded stem for safety.
- Can be supplied male or female inlet.
- Vent port supplied plugged as standard
- Bi-directional floating ball design to ensure leak-proof shut-off on pressure or vacuum.
- Smooth low torque 90° operation of valves.
- Compact overall, economical design.
- Two pressure ratings 2,000 psi (138 bar) or 6,000 psi (408 bar) versions, to suit most instrument ratings
- Pressure / Temperature rating -20°C To 250°C (see technical section).
- Choice of body and trim materials such as 316ss Monel / Duplex / Titanium.
- Many options available, such as locking devices.
- Seat materials available PTFE, Peek®, PVDF®, Devol® others also available (see technical section).
- Manufactured in high integrity, certified (316ss) barstock material.
- Full material traceability.
- 100 % Hydrostatic testing.
- Can be supplied fire safe to BS6755 Part 2 or API 607 standard as appropriate (seats Graphoil)
- Materials of construction can be supplied to meet the requirements of NACE MR-01-75 latest revision.

## Part Numbers

St/St Part No.	Connections Size	A	B	C	D	E	Vent Port Size	Weight (Kgs)
BVM2R2NS	1/4" NPT female inlet x 1/4" NPT female outlet	80	161	93	54	32	1/4" NPT female (plugged)	1.4
BVM2R4NS	1/2" NPT female inlet x 1/2" NPT female outlet	92	161	93	54	32	1/4" NPT female (plugged)	1.5

For 6,000 psi version add "P" i.e. PBVM2R4NS

For male inlet add "-1M" i.e. BVM2R4NS-1M

Seat materials: 6,000 psi = Peek® Seal Materials: Body = PTFE - Stem = Peek®

Dims are in mm (Appx)

See technical section for important additional valve data.

© 1999



Europe (UK)

Tel : 01484 710511 Fax : 01484 713009  
International : ++ 44 1484 710511

USA & Canada

Tel: ++ (1) 519 767 6655 Fax: ++ (1) 519 767 6740  
<http://www.alco-valves.com>

REF: AVCAT2K046

REV: 00

# BVM2D Series

## General Information

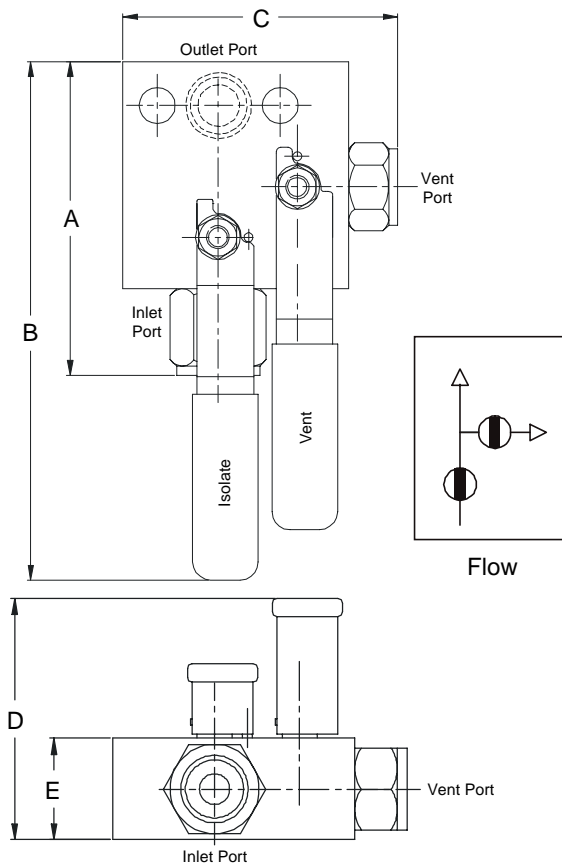
### 2 ball valve manifold, direct instrument mount style Rated up to 6,000 psi



Shown with mounting holes (option -MH)

The BVM2D series block and bleed 2 ball valve configuration manifold is especially suited for mounting directly to an instrument. Applications where vicious process mediums are used can also be dealt with easily due to the manifold having a clear 10mm bore suitable for rodding. The BVM2D also has soft replaceable seats for easy "on site" maintenance to extend service life. Being soft seated means the BVM2D offers bubble tight shut off with liquid and gas mixtures. Vent port is supplied 1/4" female fitted with a safety blanking plug as standard.

## Design Features



- Isolate and vent / block and bleed 2 valve manifold for direct mounting in one compact body.
- Roddable 10mm clear bore, floating balls, soft seated instrument manifold.
- Vent port supplied plugged as standard
- Anti blow-out internally loaded stem for safety.
- Can be supplied male or female inlet.
- Bi-directional floating ball design to ensure leak-proof shut-off on pressure or vacuum.
- Smooth low torque 90° operation of valves.
- Two pressure ratings 2,000 psi (138 bar) or 6,000 psi (408 bar) versions, to suit most instrument ratings
- Pressure / Temperature rating -20°C To 250°C (see technical section).
- Choice of body and trim materials such as 316ss Monel / Duplex / Titanium.
- Many options available, such as locking devices.
- Seat materials available PTFE, Peek®, PVDF®, Devol® others also available (see technical section).
- Manufactured in high integrity, certified (316ss) barstock material.
- Full material traceability.
- 100 % Hydrostatic testing.
- Can be supplied fire safe to BS6755 Part 2 or API 607 standard as appropriate.
- Materials of construction can be supplied to meet the requirements of NACE MR-01-75 latest revision.

## Part Numbers

St/St Part No.	Connections Size	A	B	C	D	E	Vent Port Size	Weight (Kgs)
BVM2D2NS	1/4" NPT female inlet x 1/4" NPT female vent	93	174	93	76	32	1/4" NPT female (plugged)	1.8
BVM2D4NS	1/2" NPT female inlet x 1/2" NPT female vent	105	174	93	76	32	1/4" NPT female (plugged)	1.9

For 6,000 psi version add "P" i.e. PBVM2D4NS - For male inlet add "-1M" i.e. BVM2D4NS-1M  
Seat materials: 6,000 psi = Peek® Seal Materials: Body = PTFE - Stem = Peek®

Dims are in mm (Appx)

See technical section for important additional valve data.

© 1999



Europe (UK)  
Tel : 01484 710511 Fax : 01484 713009  
International : +44 1484 710511  
USA & Canada  
Tel : ++ (1) 519 767 6655 Fax : ++ (1) 519 767 6740  
<http://www.alco-valves.com>

REF: AVCAT2K047

REV: 00

# BVM3R Series

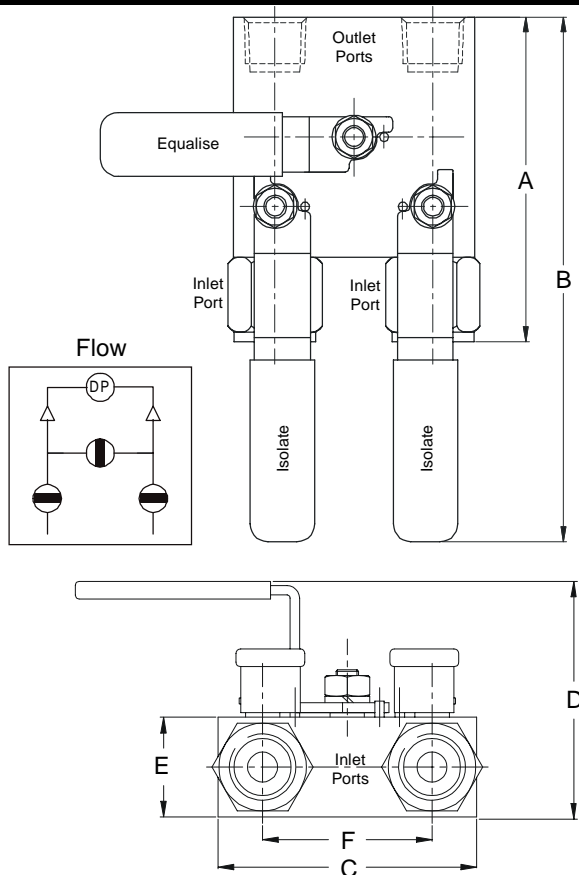
## General Information

### 3 ball valve manifold, remote style Rated up to 6,000 psi

The BVM3R series 2 x isolate 1 x equalise 3 ball valve configuration manifold is especially suited for applications where vicious process mediums are used. Having an equalising valve allows easy calibration / zeroing of an instrument. The manifold has a clear 10mm bore suitable for rodding. The BVM3R also has soft replaceable seats for easy "on site" maintenance to extend service life. Being soft seated means the BVM3R offers bubble tight shut off with liquid and gas mixtures.



## Design Features



- 2 x isolation, 1 x equalise 3 valve manifold in one compact body, floating balls, soft seated.
- Roddable 10mm clear bore.
- Anti blow-out internally loaded stem for safety.
- Can be supplied male or female inlet.
- Bi-directional floating ball design to ensure leak-proof shut-off on pressure or vacuum.
- Smooth low torque 90° operation of valves.
- Two pressure ratings 2,000 psi (138 bar) or 6,000 psi (408 bar) versions, to suit most instrument ratings
- Pressure / Temperature rating -20°C To 250°C (see technical section).
- Choice of body and trim materials such as 316ss Monel / Duplex / Titanium.
- Many options available, such as locking devices.
- Seat materials available PTFE, Peek®, PVDF®, Devol® others also available (see technical section).
- Manufactured in high integrity, certified (316ss) barstock material.
- 100 % Hydrostatic testing & full material traceability.
- Can be supplied fire safe to BS6755 Part 2 or API 607 standard as appropriate.
- Materials of construction can be supplied to meet the requirements of NACE MR-01-75 latest revision.

Note: can be supplied with additional 1/4" female purge / drain ports (option -PP)

## Part Numbers

St/St Part No.	Connections Size	A	B	C	D	E	F	Weight (Kgs)
BVM3R2NS	1/4" NPT female inlet x 1/4" female outlet	99	180	82	75	32	54	1.8
BVM3R4NS	1/2" NPT female inlet x 1/2" female outlet	111	180	82	75	32	54	1.8

For 6,000 psi version add "P" i.e. PBVM3R4NS

For male inlet add "-1M" i.e. BVM3R4NS-1M

Seat materials: 6,000 psi = Peek® Seal Materials: Body = PTFE - Stem = Peek®

Dims are in mm (Appx)

See technical section for important additional valve data.

© 1999



Europe (UK)  
Tel : 01484 710511 Fax : 01484 713009  
International : ++ 44 1484 710511  
USA & Canada  
Tel: ++ (1) 519 787 6855 Fax: ++ (1) 519 787 6740  
<http://www.alco-valves.com>

REF: AVCAT2K048

REV: 00

# BVM3D Series

## General Information

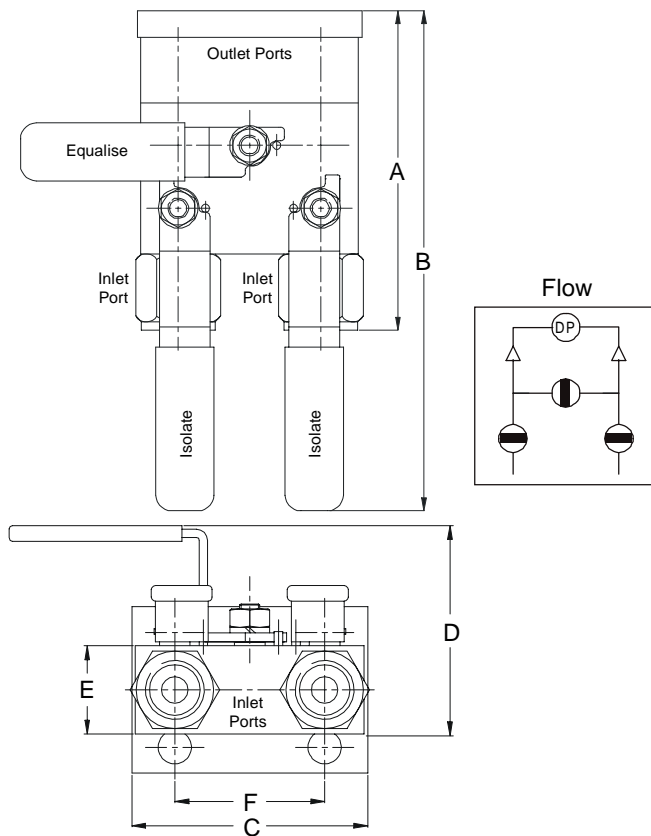
### 3 ball valve manifold, direct mount style Rated up to 6,000 psi

The BVM3D series 2 x isolate 1 x equalise 2 ball valve configuration manifold is especially suited for mounting directly to an instrument, applications where vicious process mediums are used are also dealt with easily due to the manifold having a clear 10mm bore suitable for rodding. Having an equalising valve allows easy calibration / zeroing of an instrument. The BVM3D also has soft replaceable seats for easy "on site" maintenance to extend service life. Being soft seated means the BVM3D offers bubble tight shut off with liquid and gas mixtures.



## Design Features

- 2 x isolation, 1 x equalise 3 valve manifold for direct mounting in one compact body.
- Roddable 10mm clear bore, floating balls, soft seated.
- Anti blow-out internally loaded stem for safety.
- Can be supplied male or female inlet.
- Bi-directional floating ball design to ensure leak-proof shut-off on pressure or vacuum.
- Smooth low torque 90° operation of valves.
- Two pressure ratings 2,000 psi (138 bar) or 6,000 psi (408 bar) versions, to suit most instrument ratings
- Pressure / Temperature rating -20°C To 250°C (see technical section).
- Choice of body and trim materials such as 316ss Monel / Duplex / Titanium.
- Many options available, such as locking devices.
- Seat materials available PTFE, Peek®, PVDF®, Devol® others also available (see technical section).
- Manufactured in high integrity, certified (316ss) barstock material.
- 100 % Hydrostatic testing & full material tracability.
- Can be supplied fire safe to BS6755 Part 2 or API 607 standard as appropriate.
- Materials of construction can be supplied to meet the requirements of NACE MR-01-75 latest revision.



Note: can be supplied with additional 1/4" female purge / drain ports. (option -PP)

## Part Numbers

St/St Part No.	Connections Size	A	B	C	D	E	F	Weight (Kgs)
BVM3D2NS	1/4" NPT female x 54mm centres direct instrument mount	109	190	83	90	32	54	1.9
BVM3D4NS	1/2" NPT female x 54mm centres direct instrument mount	121	190	83	90	32	54	2.0

For 6,000 psi version add "P" i.e. PBVM3D4NS

For male inlet add "-1M" i.e. BVM3D4NS-1M

Seat materials: 6,000 psi = Peek® Seal Materials: Body = PTFE - Stem = Peek®

Dims are in mm (Appx)

See technical section for important additional valve data.

© 1999



Europe (UK)

Tel : 01484 710511 Fax : 01484 710099  
International : ++ 44 1484 710511

USA & Canada

Tel: ++ (1) 519 767 6655 Fax: ++ (1) 519 767 6740  
<http://www.alco-valves.com>

REF: AVCAT2K049

REV: 00

# BVMDBB Series

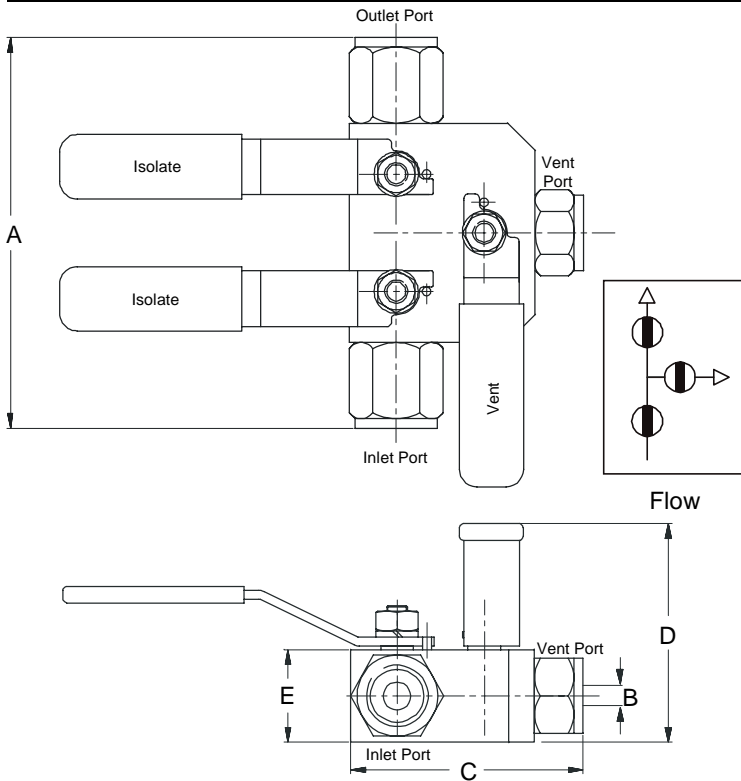
## General Information

### Double block & bleed valve manifold Rated up to 6,000 psi

The Alco BVM double block and bleed valve offers bubble tight primary isolation, captive venting and secondary isolation to an instrument. Available from vacuum to 10,000 psi rated pressures and -50°C to 240°C working temperature. Many other options apply such as anti-tamper locking devices and actuators. Repair / seat kits available to extend service life. A compact solution for piping to instrument applications.



## Design Features



- 2 x isolation, 1 x vent in one compact body.
- Roddable 10mm clear bore.
- Anti blow-out internally loaded stem for safety.
- Vent port supplied plugged as standard.
- Can be supplied male or female inlet.
- Bi-directional floating ball design to ensure leak-proof shut-off on pressure or vacuum.
- Smooth low torque 90° operation of valves.
- Two pressure ratings 2,000 psi (138 bar) or 6,000 psi (408 bar) versions, to suit most instrument ratings
- Pressure / Temperature rating -20°C To 250°C (see technical section).
- Choice of body and trim materials such as 316ss Monel / Duplex / Titanium.
- Many options available, such as locking devices.
- Seat materials available PTFE, Peek®, PVDF®, Devol® others also available (see technical section).
- Manufactured in high integrity, certified (316ss) barstock material.
- 100 % Hydrostatic testing & full material traceability.
- Can be supplied fire safe to BS6755 Part 2 or API 607 standard as appropriate.
- Materials of construction can be supplied to meet the requirements of NACE MR-01-75 latest revision

## Part Numbers

St/St Part No.	Connections Size	A	B	C	D	E	Vent Port Size	Weight (Kgs)
BVMDBB4NS	1/2" NPT female in / out 1/4" NPT female vent port	133	10	80	75	32	1/4" NPT female (plugged)	1.4
BVMDBB6NS	3/4" NPT female in / out 1/4" NPT female vent port	160	12.5	92	81	38	1/4" NPT female (plugged)	2.3
BVMDBB8NS	1" NPT female in / out 1/4" NPT female vent port	220	19	115	95	50	1/4" NPT female (plugged)	5.8

For 6,000 psi version add "P" i.e. PBVMDBB4NS

For needle valve vent change Pt no. to BVMDBBBNB4NS

For male inlet add "-1M" i.e. BVMDBB4NS-1M

Seat materials: 6,000 psi = Peek® Seal Materials: Body = PTFE - Stem = Peek®

Dims are in mm (Appx)

See technical section for important additional valve data.

© 1999



Europe (UK)  
Tel : 01484 710511 Fax : 01484 713009  
International : ++ 44 1484 710511  
USA & Canada  
Tel : ++ (1) 519 767 6655 Fax : ++ (1) 519 767 6740  
<http://www.alco-valves.com>

REF: AVCAT2K050

REV: 00

# BVM4R Series

## General Information

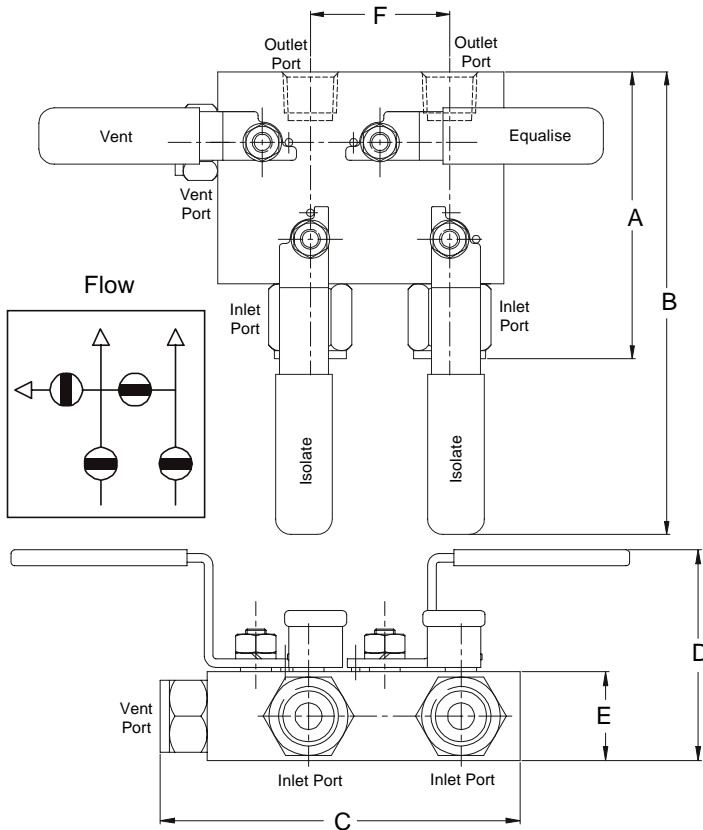
### 4 ball valve manifold, remote style Rated up to 6,000 psi



The BVM4R series 2 x isolate 1 x vent 1 x equalise 4 ball valve configuration manifold is especially suited for applications where vicious process mediums are used. Having an equalising valve allows easy calibration / zeroing of an instrument. The manifold has a clear 10mm bore suitable for rodding. The BVM4R also has soft replaceable seats for easy "on site" maintenance to extend service life. Being soft seated means the BVM4R offers bubble tight shut off with liquid and gas mixtures. Vent port is supplied with a safety blanking plug as standard.

## Design Features

- 2 x isolation, 1 x vent 1 x equalise 4 valve manifold in one compact design, floating balls, soft seated.
- Roddable 10mm clear bore.
- Anti blow-out internally loaded stem for safety.
- Can be supplied male or female inlet.
- Bi-directional floating ball design to ensure leak-proof shut-off on pressure or vacuum.
- Smooth low torque 90° operation of valves.
- Two pressure ratings 2,000 psi (138 bar) or 6,000 psi (408 bar) versions, to suit most instrument ratings
- Pressure / Temperature rating -20°C To 250°C (see technical section).
- Choice of body and trim materials such as 316ss Monel / Duplex / Titanium.
- Many options available, such as locking devices.
- Seat materials available PTFE, Peek®, PVDF®, Devol® others also available (see technical section).
- Manufactured in high integrity, certified (316ss) barstock material.
- 100 % Hydrostatic testing & full material traceability.
- Can be supplied fire safe to BS6755 Part 2 or API 607 standard as appropriate.
- Materials of construction can be supplied to meet the requirements of NACE MR-01-75 latest revision.



Note: Can be supplied with additional 1/4" female purge / drain ports. (option -PP)

## Part Numbers

St/St Part No.	Connections Size	A	B	C	D	E	F	Vent Port Size	Weight (Kgs)
BVM4R2NS	2 x 1/4" NPT female inlet x 2 x 1/4" NPT female instrument connection	100	180	128	75	32	54	1 x 1/4" NPT female (Plugged)	2.4
BVM4R4NS	2 x 1/2" NPT female inlet x 2 x 1/2" NPT female instrument connection	112	180	128	75	32	54	1 x 1/4" NPT female (Plugged)	2.5

For 6,000 psi version add "P" i.e. PBVM4R4NS

For male inlet add "-1M" i.e. BVM4R4NS-1M

Seat materials: 6,000 psi = Peek® Seal Materials: Body = PTFE - Stem = Peek®

Dims are in mm (Appx)

See technical section for important additional valve data.

© 1999



Europe (UK)  
Tel : 01484 710511 Fax : 01484 713009  
International : ++ 44 1484 710511  
USA & Canada  
Tel : ++ (1) 519 767 6655 Fax : ++ (1) 519 767 6740  
<http://www.alco-valves.com>

REF: AVCAT2K051

REV: 00

# BVM5R Series

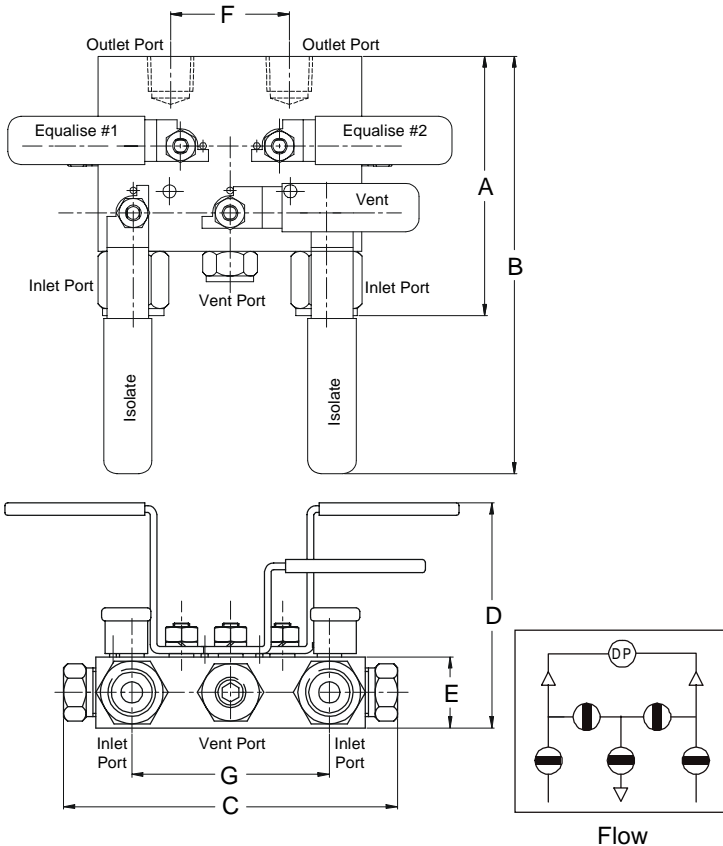
## General Information

### 5 ball valve manifold, remote style Rated up to 6,000 psi



The BVM5R series 2 x isolate 2 x equalise 1 x vent 5 ball valve configuration manifold is especially suited for applications where vicious process mediums are used. Having an equalising valve allows easy calibration / zeroing of an instrument. The manifold has a clear 10mm bore suitable for rodding. The BVM5R also has soft replaceable seats for easy "on site" maintenance to extend service life. Being soft seated means the BVM5R offers bubble tight shut off with liquid and gas mixtures. Vent ports are supplied with a safety blanking plug as standard.

## Design Features



- 2 x isolation, 2 x equalise and 1 x vent 5 valve manifold in one compact body.
- Roddable 10mm clear bore, floating balls, soft seated.
- Anti blow-out internally loaded stem for safety.
- Can be supplied male or female inlet.
- Bi-directional floating ball design to ensure leak-proof shut-off on pressure or vacuum.
- Smooth low torque 90° operation of valves.
- Two pressure ratings 2,000 psi (138 bar) or 6,000 psi (408 bar) versions, to suit most instrument ratings
- Pressure / Temperature rating -20°C To 250°C (see technical section).
- Choice of body and trim materials such as 316ss Monel / Duplex / Titanium.
- Many options available, such as locking devices.
- Seat materials available PTFE, Peek®, PVDF®, Devol® others also available (see technical section).
- Manufactured in high integrity, certified (316ss) barstock material.
- 100 % Hydrostatic testing & full material traceability.
- Can be supplied fire safe to BS6755 Part 2 or API 607 standard as appropriate.
- Materials of construction can be supplied to meet the requirements of NACE MR-01-75 latest revision.

Note: Can be supplied with compact "T" bar handles. (option -M)

## Part Numbers

St/St Part No.	Connections Size	A	B	C	D	E	F	G	Vent Port Size	Weight (Kgs)
BVM5R2NS	2 x 1/4" NPT female inlet x 2 x 1/4" NPT female instrument connection	106	190	149	100	32	54	88	1/4" NPT female (Plugged)	2.7
BVM5R4NS	2 x 1/2" NPT female inlet x 2 x 1/2" NPT female instrument connection	118	190	149	100	32	54	88	1/4" NPT female (Plugged)	2.8

For 6,000 psi version add "P" i.e. PBVM5R4NS

For male inlet add "-1M" i.e. BVM5R4NS-1M

Seat materials: 6,000 psi = Peek® Seal Materials: Body = PTFE - Stem = Peek®

Dims are in mm (Appx)

See technical section for important additional valve data.

© 1999



Europe (UK)

Tel : 01484 710511 Fax : 01484 713009  
International : ++ 44 1484 710511

USA & Canada

Tel: ++ (1) 519 767 6655 Fax: ++ (1) 519 767 6740  
<http://www.alco-valves.com>

REF: AVCAT2K052

REV: 00



# BVM5D Series

## General Information

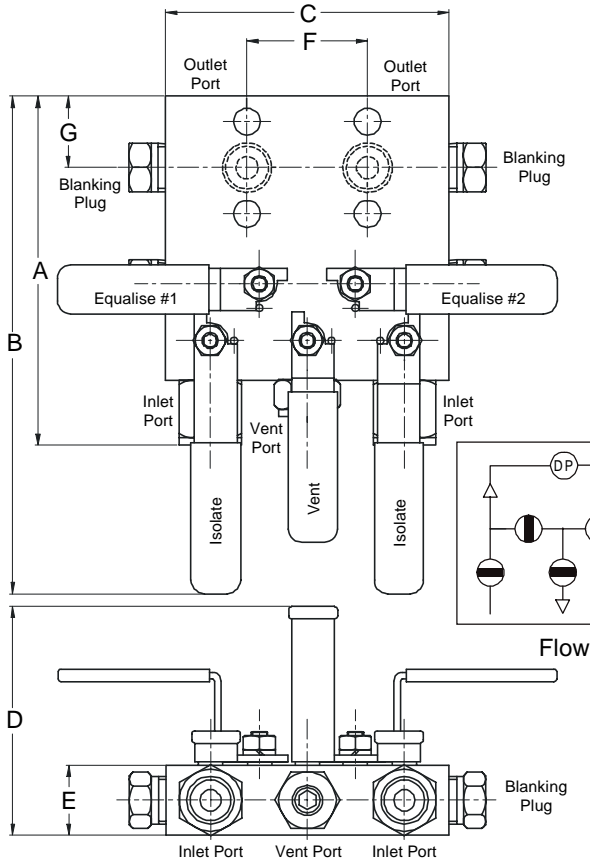
### 5 ball valve manifold, direct mount style Rated up to 6,000 psi

The BVM5D series 2 x isolate 2 x equalise 1 x vent 2 ball valve configuration manifold is especially suited for mounting directly to an instrument, applications where vicious process mediums are used are also dealt with easily due to the manifold having a clear 10mm bore suitable for rodding. Having an equalising valve allows easy calibration / zeroing of an instrument. The BVM5D also has soft replaceable seats for easy "on site" maintenance to extend service life. Being soft seated means the BVM5D offers bubble tight shut off with liquid and gas mixtures. Vent ports are supplied with a safety blanking plug as standard.



## Design Features

- 2 x isolation, 2 x equalise and 1 x vent 5 valve manifold for direct mounting in one compact body.
- Roddable 10mm clear bore, floating balls, soft seated.
- Anti blow-out internally loaded stem for safety.
- Can be supplied male or female inlet.
- Bi-directional floating ball design to ensure leak-proof shut-off on pressure or vacuum.
- Smooth low torque 90° operation of valves.
- Two pressure ratings 2,000 psi (138 bar) or 6,000 psi (408 bar) versions, to suit most instrument ratings
- Pressure / Temperature rating -20°C To 250°C (see technical section).
- Choice of body and trim materials such as 316ss Monel / Duplex / Titanium.
- Many options available, such as locking devices.
- Seat materials available PTFE, Peek®, PVDF®, Devol® others also available (see technical section).
- Manufactured in high integrity, certified (316ss) barstock material.
- Full material traceability & full material traceability.
- Can be supplied fire safe to BS6755 Part 2 or API 607 standard as appropriate.
- Materials of construction can be supplied to meet the requirements of NACE MR-01-75 latest revision.



Note: Can be supplied with compact "T" bar handles. (option -M)

## Part Numbers

Sv/St Part No.	Connections Size	A	B	C	D	E	F	G	Vent Port Size	Weight (Kgs)
BVM5D2NS	1/4" NPT female x 54mm centres direct instrument mount	144	223	127	103	32	54	32	1/4" NPT female (plugged)	4.1
BVM5D4NS	1/2" NPT female x 54mm centres direct instrument mount	156	223	127	103	32	54	32	1/4" NPT female (plugged)	4.2

For 6,000 psi version add "P" i.e. PBVM5D4NS

For male inlet add "-1M" i.e. BVM5D4NS-1M

Seat materials: 6,000 psi = Peek® Seal Materials: Body = PTFE - Stem = Peek®

Dims are in mm (Approx)

See technical section for important additional valve data.

© 1999



Europe (UK)  
Tel : 01484 710511 Fax : 01484 713009  
International : ++ 44 1484 710511  
USA & Canada  
Tel : ++ (1) 519 787 6855 Fax : ++ (1) 519 787 6740  
<http://www.alco-valves.com>

REF: AVCAT2K053

REV: 00

# ADM-PRO™ Ball Valve Type

## General Information

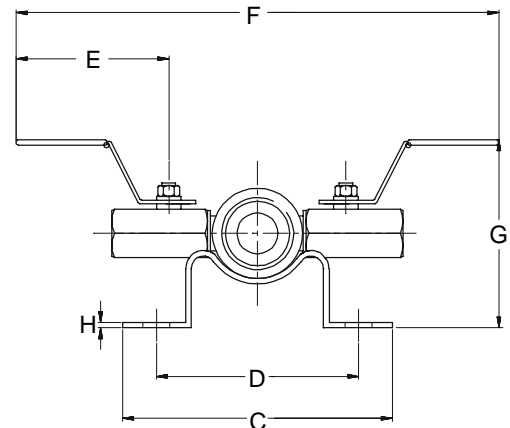
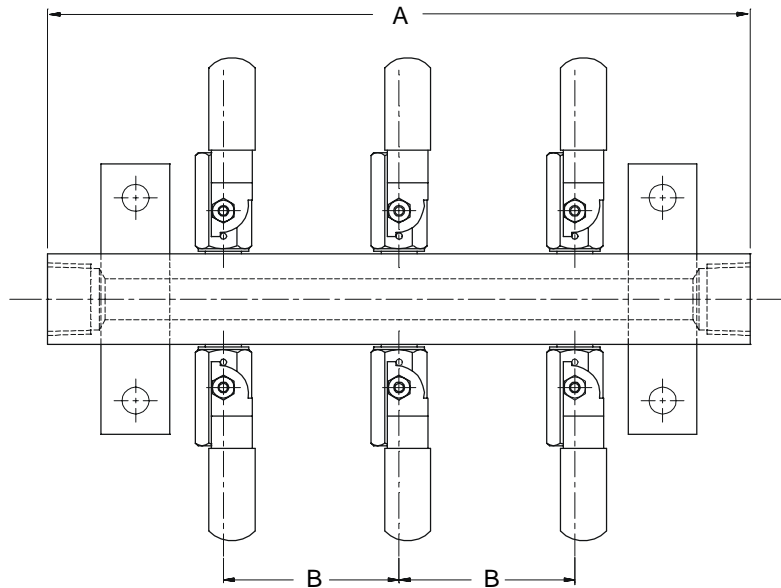
### Air distribution manifolds Rated up to 6,000 psi



The Alco ADM-PRO™ range of compact, economical air distribution manifolds come in our standard configuration (shown below) or to client specifications. ADM-PRO™ can be supplied with up to 40 take-off valves, ball or needle valves. Inlet and drain connections can be made to specification, this includes flanges i.e. 150 lbs. Rf. or even socket / butt weld. Mounting legs are supplied as standard to make installation easier. Take off sizes can vary from 1/4" to 1" in size. Working pressures range from 2,000 psi up to 6,000 psi, also see needle valve version in section 9 page 5 & 6

## Design Features

- Bi-directional floating ball design to ensure leak-proof shut-off on pressure or vacuum.
- Manufactured from high integrity, certified (316ss) barstock material.
- Smooth low torque 90° operation.
- Value for money, compact economical design.
- Compact overall length, reduced weight.
- Choice of trim materials.
- Available NPT, BSPP or BSPT threads.
- Base mounting holes to allow fixing to enclosure or mounting boss.
- Temperature rating -20°C to 250°C.
- Available in female x female and male x female versions.
- Available in 316 stainless steel, other materials available.
- Anti-blow-out internally loaded stem for safety.
- Handle indicates open / closed position at a glance.
- Many options available such as locking devices, mounting brackets, 'C' shaped handle.
- Full material traceability.
- 100% Hydrostatic factory testing before despatch.
- Materials of construction can be supplied to meet the requirements of NACE MR-01-75 latest revision.



Note: supplied with mounting legs as standard

## Part Numbers

St/St Part No.	Inlet / Outlet	No. of take offs	A	B	C	D	E	F	G	H	Weight (Kgs)
ADM6-MA2NS	3/4" NPT Female Inlet / outlet 1/4" NPT takeoffs	6	260	65	100	75	57	179	70	2/3	2.0

Seat materials: 6,000 psi = Peek® Seal Materials: Body = PTFE - Stem = Peek®

Dims are in mm (Appx)

See technical section for important additional valve data.

© 1999



Europe (UK)  
Tel : 01484 710511 Fax : 01484 713009  
International : ++ 44 1484 710511  
USA & Canada  
Tel: ++ (1) 519 767 6655 Fax: ++ (1) 519 767 6740  
<http://www.alco-valves.com>

REF: AVCAT2K054

REV: 00

# How to order ball valve manifolds

Our part number system is made up of alphanumeric / generic code system as explained below.  
An example is :-

## 316ss ball valve manifold, 5 valve direct version. 1/2" NPT female process connections x direct instrument mount (54mm centres) rated 10,000 psi with Monel® 400 trim & identification tagging.

The part number shown below is made up using the system :-

Rated pressure	Valve series	Connections	Connection type	Material of construction/ body parts	Trim material (Ball and stem)	Options			
<b>U</b>	<b>BVM</b>	<b>5D</b>	<b>4</b>	<b>N</b>	<b>S</b>	<b>-</b>	<b>5</b>	<b>-</b>	<b>TAG</b>
<p><b>No letter</b> = Up to 6,000 psi. <b>U</b> = 10,000 psi.</p> <p><b>BVM</b> = Ball valve manifold. <b>DBB</b> = Double block &amp; bleed valve ball, ball, ball, 2 x isolate 1 x vent.</p> <p><b>2R</b> = 2 valve (isolate + vent) remote style threaded x threaded. <b>2D</b> = 2 valve (isolate + vent) direct mount x threaded. <b>3R</b> = 3 valve (2 x isolate 1 x equalise) remote style threaded x threaded. <b>3D</b> = 3 valve (2 x isolate 1 x equalise) direct mount x threaded. <b>4R</b> = 4 valve (2 x isolate 1 x equalise 1 x vent) remote style threaded x threaded. <b>4D</b> = 4 valve (2 x isolate 1 x equalise 1 x vent) direct mount x threaded. <b>5R</b> = 5 valve (2 x isolate 2 x equalise 1 x vent) remote style threaded x threaded. <b>5D</b> = 5 valve (2 x isolate 2 x equalise 1 x vent) direct mount x threaded. <b>BNB</b> = Ball, needle, ball. <b>NNN</b> = Needle, needle, needle. <b>ADM</b> = ADM-PRO</p>	<p><b>2</b> = 1/4". <b>3</b> = 3/8". <b>4</b> = 1/2".</p>	<p><b>D</b> = Ali-Bronze. <b>H</b> = Hastalloy C. <b>I</b> = Incoloy 625. <b>M</b> = Monel 400. <b>N</b> = Cupro-Nickel. <b>S</b> = 316 St. St. <b>U</b> = Duplex. <b>Note:</b> Other specialist material such as 6MO, Super Duplex, Zirconium are available.</p> <p><b>B</b> = Butt weld. <b>F</b> = Flanged. <b>K</b> = Twin ferrule (compression ends). <b>N</b> = NPT Female threads. <b>P</b> = BSPP Female threads. <b>Q</b> = Single ferrule (compression ends). <b>S</b> = Socket weld. <b>T</b> = BSPT Female threads.</p>	<p><b>-U</b> = Duplex. <b>-5</b> = Monel 400. <b>-6</b> = Incoloy. <b>-7</b> = Ali-bronze. <b>-8</b> = Hastalloy. <b>-X</b> = Down stream exhaust to atmosphere trim.</p> <p><b>-2M</b> = male inlet &amp; outlet connections. <b>-2M1</b> = Double male ends (inlet side). <b>-2M2</b> = Double male ends (outlet side). <b>-CAV</b> = Cavity filled seats. <b>-DG</b> = Degreased and cleaned. <b>-TAG</b> = Identification Tagging. <b>-I-DA2</b> = Isolation valves actuated. <b>-IE-DA2</b> = Equalise valve actuated. <b>-AV-DA2</b> = All valves actuated.</p>						

Socket weld and butt weld end connectors may be extended for thermal protection of the valve internals

**NOTE 1:** The pressure ratings quoted within our literature are maximum hydrostatic pressure ratings for the valves. Certain options available are the products / designs of other manufacturers, Alco Valves cannot accept any responsibility for these products unsuitability or failure in service.

**NOTE 2:** It is always advisable to refer to specific product literature or contact our technical sales department when ordering valves as some of these options are available only on certain styles of valves. Any special end connections such as compression ends or butt / socket weld may limit the rated working pressure of the valve or component supplied in accordance with the relevant specification of design or use of that method of connection. The valve or component will still carry the maximum working pressure markings in accordance with the valve or component design not the connection method as they vary.

**NOTE 3:** The flow diagram schematics shown may not agree with the handle orientation exactly, they are for representation only.

© 1999