

# Bleed Valves

## Applications

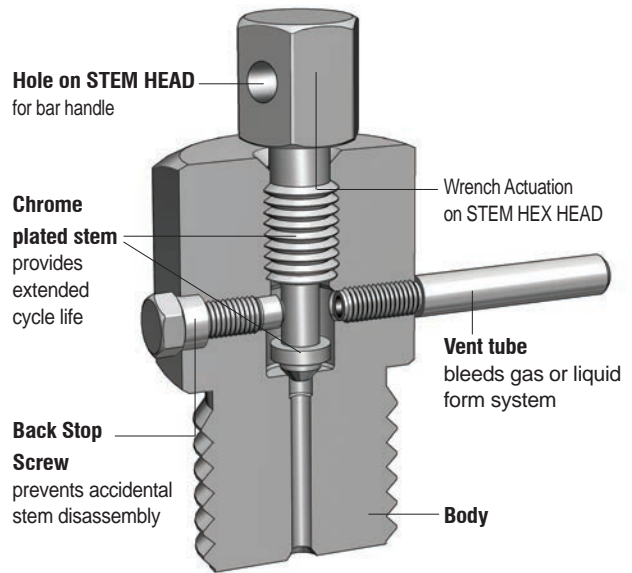
**SUPERLOK** bleed valves can be used on instrumentation devices such as multivalve manifolds or gauge valves to vent signal line pressure to atmosphere Before removal of an instrument or to assist in calibration of control devices.

## Features

- Compact for convenient installation.
- Back stop screw prevents accidental remove of stem.
- Chrome-plated stem threads and tip improves valve life.
- Male NPT or ISO Thread end connection.

## Caution

When installing a **SUPERLOK** bleed valve, position the vent tube to direct system fluid away from operating personnel. Always open bleed valves slowly. These valves contain no packing, so some fluid weepage will occur when the valves are opened. operating personnel must protect themselves from exposure to system fluids.



## Materials of Construction

Component	Valve Body Materials
	Material Grade/ASTM Specification
Stem	316 SS / A276
Body	316 SS / A276
Back stop screw	316 SS / A276
Vent tube	316 SS / A269

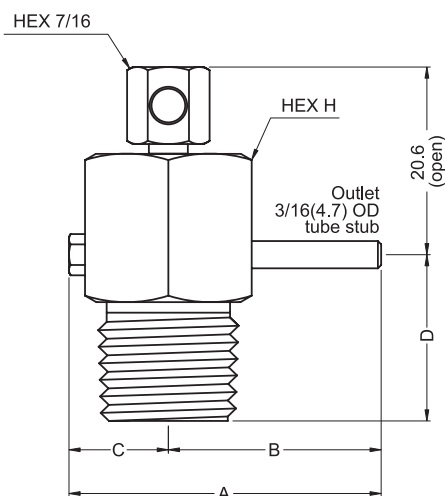
## Pressure - temperature ratings

Material	316 SS
Temperature °F(°C)	Working Pressure, psig (bar)
-65(-53) to 100(37)	10,000(689)
200(93)	9,290(640)
300(148)	8,390(578)
400(204)	7,705(530)
450(232)	7,435(512)
500(260)	7,165(493)
600(315)	6,770(466)
650(343)	6,660(458)
700(371)	6,840(446)
750(398)	6,335(436)
800(426)	6,230(429)
850(454)	6,085(419)

## Technical Data

Series	Orifice in.(mm)	Pressure-Temperature Rating	
		Temperature °F(°C)	Working Pressure psig (bar)
SBLV	0.125 (3.2)	-65 to 850°F (-54 to 454°C)	10,000psig (689bar) @ 100°F (38°C)

## Table of Dimension



Part Number	End Connection		Cv	Dimensions inch(mm)					
	Inlet	Outlet		A	B	C	D	H	
SBLV-M2N	1/8" Male NPT	O.D. 3/16" tube stub	0.25	1.34 (34.0)	0.92 (23.4)	0.41 (10.4)	0.75 (19.1)	0.625 (15.87)	
SBLV-M4N	1/4" Male NPT			1.47 (37.3)	1.03 (26.1)	0.44 (11.2)	0.88 (22.3)	0.875 (22.22)	
SBLV-M6N	3/8" Male NPT			1.87 (47.6)	1.15 (29.3)	0.72 (18.3)	1 (25.4)	1.125 (28.57)	
SBLV-M8N	1/2" Male NPT								
SBLV-M12N	3/4" Male NPT								

• All dimensions in millimeters unless specified as "inch". Dimension are for reference only, subject to change.

## Testing

- Each valve is tested with nitrogen@1000psig(69bar)to max leak rate of 0.1 SCCM.
- Hydrostatic shell test is performed at 1.5times the working pressure as an option.

## Option

If require 316SS bar handle, add-BH to the end of part number.  
ex) SBLV-M4N-BH